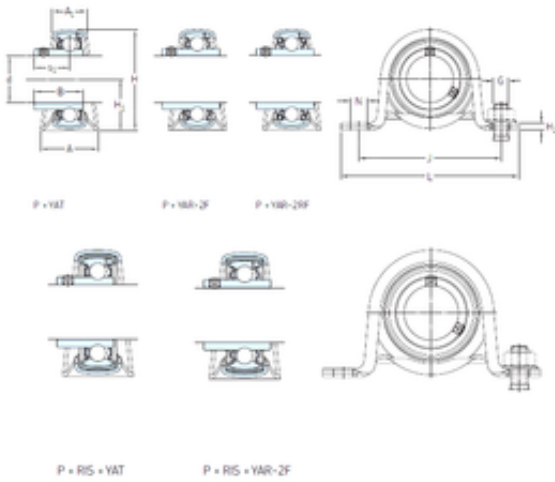




Bearing de Mexico, S.A.



SKF P 17 TF bearing units

Bearing No. P 17 TF

Bore Diameter	17 mm
d	17 mm
s ₁	15,9 mm
A	26 mm
A ₁	18 mm
B	27,4 mm
H	44 mm
H ₁	22 mm
H ₂	3 mm
J	68 mm
L	86 mm
N	9,6 mm
Thread (G)	8
Weight	0,16 Kg
Basic dynamic load rating (C)	9,56 kN
Basic static load rating (C ₀)	4,75 kN
Housing material	Pressed steel
A ₁	18 mm
B ₄	4 mm
H ₁	22.1 mm
H ₂	3 mm
s ₁	15.9 mm
Basic dynamic load rating C	9.56 kN
Basic static load rating C ₀	4.75 kN
Fatigue load limit P _u	0.2 kN
Permissible radial housing	1.25 kN

P 17 TF Bearing 2D drawings and 3D CAD models



Bearing de Mexico, S.A.

load max.	
Limiting speed	9500 r/min
Mass bearing unit	0.15 kg
Thread grub screw G ₂	M6x0.75
Hexagonal key size for grub screw N	3 mm
Recommended tightening torque for grub screw	4 N · m
Recommended diameter for attachment bolts, mm G	8 mm
Recommended diameter for attachment bolts, inch G	0.3125 in
Housing	P 40
Bearing	YAR 203-2F