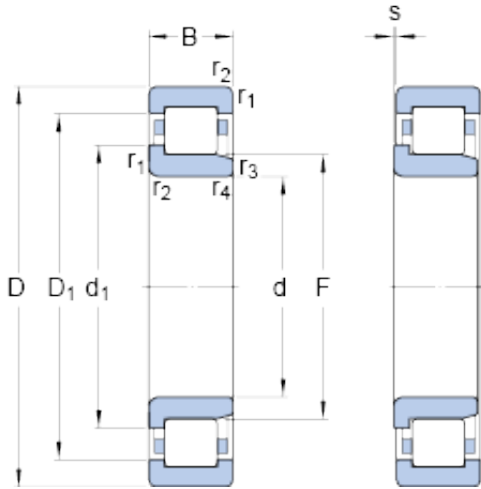




Bearing de Mexico, S.A.



25 mm x 52 mm x 15 mm SKF NJ 205 ECPH thrust ball bearings

Bearing No. NJ 205 ECPH

NJ 205 ECPH Bearing 2D drawings and 3D CAD models

| | |
|---|-------------|
| Size | 52x25x15 mm |
| Bore Diameter | 52 mm |
| Outer Diameter | 25 mm |
| Width | 15 mm |
| d | 25 mm |
| D | 52 mm |
| B | 15 mm |
| d ₁ | 34.7 mm |
| D ₁ | 43.3 mm |
| F | 31.5 mm |
| r _{1,2} - min. | 1 mm |
| r _{3,4} - min. | 1 mm |
| s | 1.3 mm |
| d _a - min. | 29.9 mm |
| d _a - max. | 30.4 mm |
| d _b - min. | 36 mm |
| D _a - max. | 46.4 mm |
| r _a - max. | 1 mm |
| Basic dynamic load rating - C | 32.5 kN |
| Basic static load rating - C ₀ | 27 kN |
| Fatigue load limit - P _u | 3.4 kN |
| Reference speed | 15000 r/min |
| Limiting speed | 16000 r/min |
| Calculation factor - k _r | 0.15 |



Bearing de Mexico, S.A.

| | |
|--------------------------------|---------|
| d_1 | 34.7 mm |
| D_1 | 43.3 mm |
| $r_{1,2}$ min. | 1 mm |
| $r_{3,4}$ min. | 0.6 mm |
| s max. | 1.3 mm |
| d_a min. | 29.9 mm |
| d_a max. | 30.4 mm |
| d_b min. | 36 mm |
| D_a max. | 46.4 mm |
| r_a max. | 1 mm |
| Basic dynamic load rating C | 32.5 kN |
| Basic static load rating C_0 | 27 kN |
| Fatigue load limit P_u | 3.35 kN |
| Calculation factor k_r | 0.15 |
| Limiting value e | 0.2 |
| Axial load factor Y | 0.6 |
| Mass bearing | 0.14 kg |