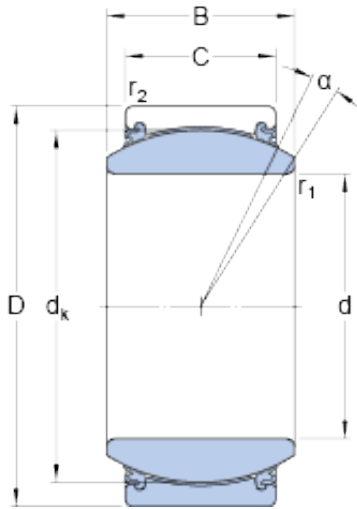




Bearing de Mexico, S.A.

38.1 mm x 61.913 mm x 33.325 mm SKF GEZ 108 TXE-2LS plain bearings

Bearing No. GEZ 108 TXE-2LS



GEZ 108 TXE-2LS Bearing 2D drawings and 3D CAD models

| | |
|--|-----------------------|
| Size | 61.913x38.1x33.325 mm |
| Bore Diameter | 61,913 mm |
| Outer Diameter | 38,1 mm |
| Width | 33,325 mm |
| d | 38.1 mm |
| D | 61.913 mm |
| B | 33.325 mm |
| C | 28.575 mm |
| | 6 ° |
| d _k | 54.737 mm |
| r ₁ - min. | 0.6 mm |
| r ₂ - min. | 1 mm |
| d _a - min. | 41.6 mm |
| d _a - max. | 43.4 mm |
| D _a - min. | 55.1 mm |
| D _a - max. | 57.2 mm |
| r _a - max. | 0.6 mm |
| r _b - max. | 1 mm |
| Basic dynamic load rating - C | 186 kN |
| Basic static load rating - C ₀ | 375 kN |
| Specific factor dinamic load - K | 150 N/mm ² |
| Specific factor static load - K ₀ | 300 N/mm ² |
| Category | Plain Bearings |



Bearing de Mexico, S.A.

| | |
|--|------------------------------------|
| Inventory | 0.0 |
| Manufacturer Name | SKF |
| Minimum Buy Quantity | N/A |
| Weight / Kilogram | 0 |
| EAN | 7316575129453 |
| Product Group | B04264 |
| Lubricant | Maintenance free – dry lubrication |
| Design (sliding contact surface combination) | Steel/PTFE fabric |
| Sealing solution | Triple-lip seals |
| | 6 ° |
| d_k | 54.737 mm |
| r_1 min. | 0.6 mm |
| r_2 min. | 1 mm |
| d_a min. | 41.6 mm |
| d_a max. | 43.4 mm |
| D_a min. | 55.1 mm |
| D_a max. | 57.2 mm |
| r_a max. | 0.6 mm |
| r_b max. | 1 mm |
| Basic dynamic load rating C | 186 kN |
| Basic static load rating C_0 | 375 kN |
| Specific dynamic load factor K | 150 N/mm ² |
| Specific static load factor K_0 | 300 N/mm ² |
| Mass plain bearing | 0.41 kg |