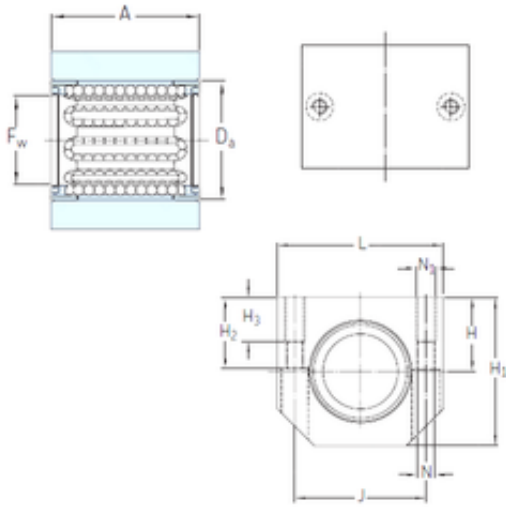




## Bearing de Mexico, S.A.



### SKF LUHR 50-2LS linear bearings

Bearing No. LUHR 50-2LS

Bore Diameter	50 mm
Fw	50 mm
H3	26 mm
Da	62 mm
A	70 mm
H	47 mm
H1	92 mm
H2	46 mm
J	82 mm
L	103 mm
N	10,5 mm
Thread (N1)	M12
Weight	1,19 Kg
Basic dynamic load rating (C)	6,95 kN

LUHR 50-2LS Bearing 2D drawings and 3D CAD models