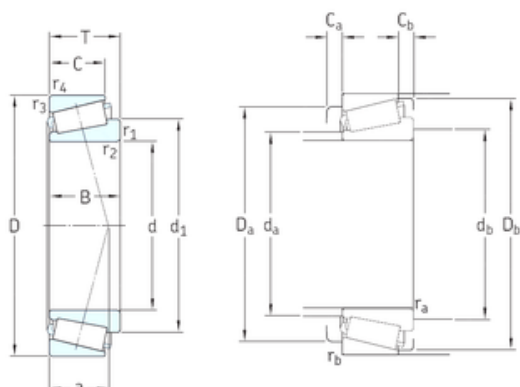




Bearing de Mexico, S.A.



140 mm x 195 mm x 27 mm SKF T4CB140 tapered roller bearings

Bearing No. T4CB140

Size	140x195x29 mm
Bore Diameter	140 mm
Outer Diameter	195 mm
Width	29 mm
d	140 mm
D	195 mm
T	29 mm
B	27 mm
C	21 mm
a	40 mm
d1	165 mm
r1 min.	3 mm
r2 min.	3 mm
r3 min.	3 mm
r4 min.	3 mm
Ca min.	5 mm
Cb min.	8 mm
da max	151 mm
Da min	180 mm
Da max.	181 mm
db min	154 mm
Db min.	189 mm
ra max.	2,5 mm
rb max.	2,5 mm
Weight	2,4 Kg

T4CB140 Bearing 2D drawings and 3D CAD models



Bearing de Mexico, S.A.

Basic dynamic load rating (C)	194 kN
Basic static load rating (C0)	325 kN
Fatigue load limit (Pu)	33,5
Reference speed	2200 r/min
Limiting speed	3200 r/min
Calculation factor (e)	0,5
Calculation factor (Y)	1,2