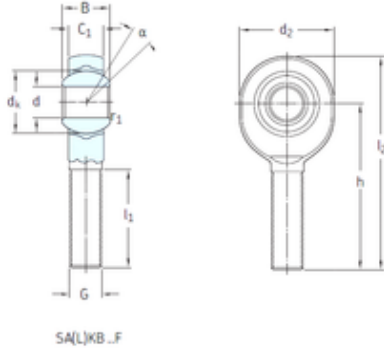




## Bearing de Mexico, S.A.

### SKF SAKB10F plain bearings



Bearing No. SAKB10F

Bore Diameter	10 mm
d	10 mm
d2 max.	29 mm
dk	19 mm
h	48 mm
l1 min.	28 mm
l2 max.	64 mm
r1 min.	0,3 mm
B	14 mm
C1 max	10,5 mm
Thread (G)	M10 Tolerance 6g
Angle	13 °
Weight	0,059 Kg
Basic dynamic load rating (C)	9,8 kN

SAKB10F Bearing 2D drawings and 3D CAD models