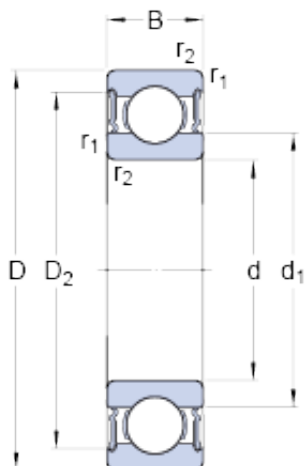




## Bearing de Mexico, S.A.



35 mm x 72 mm x 17 mm SKF W  
6207-2RS1/VP311 deep groove ball bearings

Bearing No. W 6207-2RS1/VP311

W 6207-2RS1/VP311 Bearing 2D drawings and 3D CAD models

Size	72x35x17 mm
Bore Diameter	72 mm
Outer Diameter	35 mm
Width	17 mm
d	35 mm
D	72 mm
B	17 mm
d <sub>1</sub>	47.6 mm
D <sub>2</sub>	64.83 mm
r <sub>1,2</sub> - min.	1.1 mm
d <sub>a</sub> - min.	41.5 mm
d <sub>a</sub> - max.	47.5 mm
D <sub>a</sub> - max.	65.5 mm
r <sub>a</sub> - max.	1 mm
Basic dynamic load rating - C	22.1 kN
Basic static load rating - C <sub>0</sub>	15.3 kN
Fatigue load limit - P <sub>u</sub>	0.655 kN
Limiting speed	6000 r/min
Calculation factor - k <sub>r</sub>	0.03
Calculation factor - f <sub>0</sub>	13.9
Category	Bearings
Inventory	0.0
Manufacturer Name	SKF
Minimum Buy Quantity	N/A



## Bearing de Mexico, S.A.

Weight / Kilogram	0.03
Product Group	B00308
$d_1$	47.6 mm
$D_2$	64.83 mm
$r_{1,2}$ min.	1.1 mm
$d_a$ min.	41.5 mm
$d_a$ max.	46.5 mm
$D_a$ max.	65.5 mm
$r_a$ max.	1 mm
Basic dynamic load rating C	22.1 kN
Basic static load rating $C_0$	15.3 kN
Fatigue load limit $P_u$	0.655 kN
Calculation factor $k_f$	0.03
Calculation factor $f_0$	13.9
Mass bearing	0.28 kg