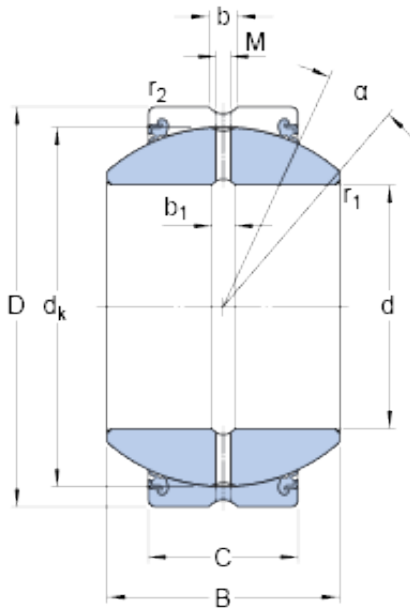




Bearing de Mexico, S.A.

57.15 mm x 100.013 mm x 58.877 mm SKF GEZH 204 ESX-2LS plain bearings

Bearing No. GEZH 204 ESX-2LS



GEZH 204 ESX-2LS Bearing 2D drawings and 3D CAD models

Size	100.013x57.15x58.877 mm
Bore Diameter	100,013 mm
Outer Diameter	57,15 mm
Width	58,877 mm
d	57.15 mm
D	100.013 mm
B	58.877 mm
C	47.625 mm
	8 °
d _k	91.186 mm
b	9 mm
b ₁	8 mm
M	6.5 mm
r ₁ - min.	1.5 mm
r ₂ - min.	1 mm
d _a - min.	64.1 mm
d _a - max.	69.6 mm
D _a - min.	87 mm
D _a - max.	94.7 mm
r _a - max.	1.5 mm
r _b - max.	1 mm
Basic dynamic load rating - C	520 kN
Basic static load rating - C ₀	1040 kN
Specific factor dinamic load - K	150 N/mm ²



Bearing de Mexico, S.A.

Specific factor static load - K_0	300 N/mm ²
Constant - K_M	330
Lubricant	Maintenance free – greased for life
Design (sliding contact surface combination)	Steel/steel
Sealing solution	Triple-lip seals
	8 °
d_k	91.186 mm
b_1	8 mm
r_1 min.	1.5 mm
r_2 min.	1 mm
d_a min.	64.1 mm
d_a max.	69.6 mm
D_a min.	87 mm
D_a max.	94.7 mm
r_a max.	1.5 mm
r_b max.	1 mm
Basic dynamic load rating C	520 kN
Basic static load rating C_0	1040 kN
Specific dynamic load factor K	150 N/mm ²
Specific static load factor K_0	300 N/mm ²
Material constant K_M	330
Mass plain bearing	2.1 kg