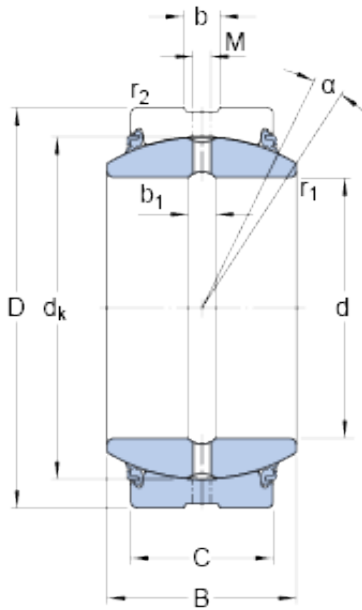




## Bearing de Mexico, S.A.

57.15 mm x 90.488 mm x 50.013 mm SKF GEZ  
204 ES-2LS plain bearings

Bearing No. GEZ 204 ES-2LS



GEZ 204 ES-2LS Bearing 2D drawings and 3D CAD models

Size	90.488x57.15x50.013 mm
Bore Diameter	90,488 mm
Outer Diameter	57,15 mm
Width	50,013 mm
d	57.15 mm
D	90.488 mm
B	50.013 mm
C	42.85 mm
	6 °
d <sub>k</sub>	82.169 mm
b	5.7 mm
b <sub>1</sub>	5 mm
M	4 mm
r <sub>1</sub> - min.	0.6 mm
r <sub>2</sub> - min.	1 mm
d <sub>a</sub> - min.	61.7 mm
d <sub>a</sub> - max.	65.2 mm
D <sub>a</sub> - min.	79 mm
D <sub>a</sub> - max.	85.3 mm
r <sub>a</sub> - max.	0.6 mm
r <sub>b</sub> - max.	1 mm
Basic dynamic load rating - C	280 kN
Basic static load rating - C <sub>0</sub>	850 kN
Specific factor dinamic load - K	100 N/mm <sup>2</sup>



## Bearing de Mexico, S.A.

Specific factor static load - $K_0$	300 N/mm <sup>2</sup>
Constant - $K_M$	330
Size	57.15x90.488x50.013 mm
Bore Diameter	57,15 mm
Outer Diameter	90,488 mm
Width	50,013 mm
d	57.15 mm
D	90.488 mm
B	50.013 mm
C	42.85 mm
	6 °
$d_k$	82.169 mm
b	5.7 mm
$b_1$	5 mm
M	4 mm
$r_1$ - min.	0.6 mm
$r_2$ - min.	1 mm
$d_a$ - min.	61.7 mm
$d_a$ - max.	65.2 mm
$D_a$ - min.	79 mm
$D_a$ - max.	85.3 mm
$r_a$ - max.	0.6 mm
$r_b$ - max.	1 mm
Basic dynamic load rating - C	280 kN
Basic static load rating - $C_0$	850 kN
Specific factor dinamic load - K	100 N/mm <sup>2</sup>
Specific factor static load - $K_0$	300 N/mm <sup>2</sup>
Constant - $K_M$	330



## Bearing de Mexico, S.A.

Lubricant	Regular relubrication – grease
Design (sliding contact surface combination)	Steel/steel
Sealing solution	Triple-lip seals
	6 °
$d_k$	82.169 mm
$b_1$	5 mm
$r_1$ min.	0.6 mm
$r_2$ min.	1 mm
$d_a$ min.	61.7 mm
$d_a$ max.	65.2 mm
$D_a$ min.	79 mm
$D_a$ max.	85.3 mm
$r_a$ max.	0.6 mm
$r_b$ max.	1 mm
Basic dynamic load rating C	280 kN
Basic static load rating $C_0$	850 kN
Specific dynamic load factor K	100 N/mm <sup>2</sup>
Specific static load factor $K_0$	300 N/mm <sup>2</sup>
Material constant $K_M$	330
Mass plain bearing	1.3 kg