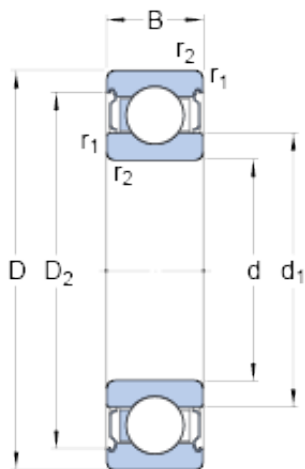




Bearing de Mexico, S.A.



50 mm x 110 mm x 27 mm SKF 6310-2Z/VA228
deep groove ball bearings

Bearing No. 6310-2Z/VA228

6310-2Z/VA228 Bearing 2D drawings and 3D CAD models

Size	110x50x27 mm
Bore Diameter	110 mm
Outer Diameter	50 mm
Width	27 mm
d	50 mm
D	110 mm
B	27 mm
d ₁	68.76 mm
D ₂	95.2 mm
r _{1,2} - min.	2 mm
d _a - min.	61 mm
d _a - max.	68.7 mm
D _a - max.	99 mm
r _a - max.	2 mm
Basic dynamic load rating - C	65 kN
Basic static load rating - C ₀	38 kN
Limiting speed	110 r/min
Limiting temperature - T	350 ° C
Category	Single Row Ball Bearings
Inventory	0.0
Manufacturer Name	SKF
Minimum Buy Quantity	N/A
Weight / Kilogram	1.122
EAN	7316571439525



Bearing de Mexico, S.A.

Product Group	B00308
Enclosure	2 Metal Shields
Precision Class	ABEC 1 ISO P0
Maximum Capacity / Filling Slot	No
Rolling Element	Ball Bearing
Snap Ring	No
Internal Special Features	Coronet Cage
Cage Material	Graphite
Internal Clearance	C0-Medium
Inch - Metric	Metric
Long Description	50MM Bore; 110MM Outside Diameter; 27MM Outer Race Width; 2 Metal Shields; Ball Bearing; ABEC 1 ISO P0; No Filling Slot; No Snap Ring; Coronet Cage Internal Special Features; C0-Medium Internal Clea
Other Features	Deep Groove Extreme Temperature Variant
Category	Single Row Ball Bearing
UNSPSC	31171504
Harmonized Tariff Code	8482.10.50.68
Noun	Bearing
Keyword String	Ball
Manufacturer URL	http://www.skf.com
Manufacturer Item Number	6310-2Z/VA228
Weight / LBS	1.1
Outside Diameter	4.331 Inch 110 Millimeter
Bore	1.969 Inch 50 Millimeter
Inner Race Width	0 Inch 0 Millimeter
Outer Race Width	1.063 Inch 27 Millimeter
d ₁	68.76 mm



Bearing de Mexico, S.A.

D_2	95.2 mm
$r_{1,2}$ min.	2 mm
d_a min.	61 mm
d_a max.	68.7 mm
D_a max.	99 mm
r_a max.	2 mm
Basic dynamic load rating C	65 kN
Basic static load rating C_0	38 kN
Limiting temperature T max.	350 ° C
Mass bearing	1.12 kg