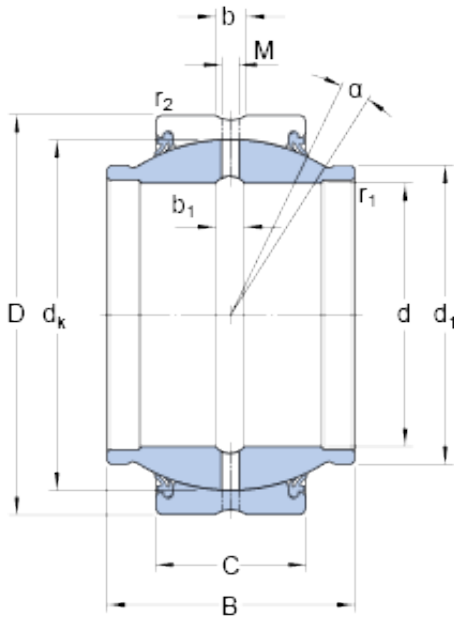




Bearing de Mexico, S.A.

69.85 mm x 111.125 mm x 104.775 mm SKF
GEZM 212 ES-2RS plain bearings



GEZM 212 ES-2RS Bearing 2D drawings and 3D CAD models

Bearing No. GEZM 212 ES-2RS

Size	111.125x69.85x104.775 mm
Bore Diameter	111,125 mm
Outer Diameter	69,85 mm
Width	104,775 mm
d	69.85 mm
D	111.125 mm
B	104.775 mm
C	52.375 mm
	5 °
d _k	100.33 mm
d ₁	85.852 mm
b	9 mm
b ₁	8 mm
M	6.5 mm
r ₁ - min.	1 mm
r ₂ - min.	1 mm
d _a - min.	76.2 mm
d _a - max.	85.9 mm
D _a - min.	96 mm
D _a - max.	105.7 mm
r _a - max.	1 mm
r _b - max.	1 mm
Basic dynamic load rating - C	425 kN
Basic static load rating - C ₀	1270 kN



Bearing de Mexico, S.A.

Specific factor dynamic load - K	100 N/mm ²
Specific factor static load - K ₀	300 N/mm ²
Constant - K _M	330
Lubricant	Regular relubrication – grease
Design (sliding contact surface combination)	Steel/steel
Sealing solution	Double-lip seals
	5 °
d _k	100.33 mm
d ₁	85.852 mm
b ₁	8 mm
r ₁ min.	1 mm
r ₂ min.	1 mm
d _a min.	76.2 mm
d _a max.	85.9 mm
D _a min.	96 mm
D _a max.	105.7 mm
r _a max.	1 mm
r _b max.	1 mm
Basic dynamic load rating C	425 kN
Basic static load rating C ₀	1270 kN
Specific dynamic load factor K	100 N/mm ²
Specific static load factor K ₀	300 N/mm ²
Material constant K _M	330
Mass plain bearing	3.1 kg