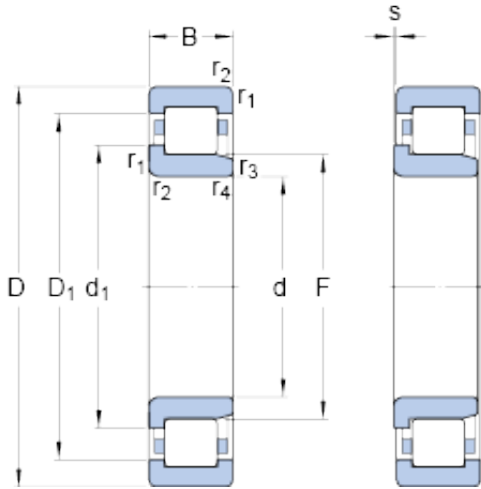




Bearing de Mexico, S.A.



40 mm x 90 mm x 23 mm SKF NJ 308 ECM thrust ball bearings

Bearing No. NJ 308 ECM

Size	90x40x23 mm
Bore Diameter	90 mm
Outer Diameter	40 mm
Width	23 mm
d	40 mm
D	90 mm
B	23 mm
d ₁	57.5 mm
D ₁	75 mm
F	52 mm
r _{1,2} - min.	1.5 mm
r _{3,4} - min.	1.5 mm
s	1.4 mm
d _a - min.	48 mm
d _a - max.	50 mm
d _b - min.	60 mm
D _a - max.	81.8 mm
r _a - max.	1.5 mm
Basic dynamic load rating - C	93 kN
Basic static load rating - C ₀	78 kN
Fatigue load limit - P _u	10.2 kN
Reference speed	8000 r/min
Limiting speed	9500 r/min
Calculation factor - k _r	0.15

NJ 308 ECM Bearing 2D drawings and 3D CAD models



Bearing de Mexico, S.A.

Category	Cylindrical Roller Bearings
Inventory	0.0
Manufacturer Name	SKF
Minimum Buy Quantity	N/A
Weight / Kilogram	0.809
EAN	7316576623967
Product Group	B04144
Bore Profile	Straight
Cage Material	Brass
Precision Class	RBEC 1 ISO P0
Number of Rows of Rollers	Single Row
Separable	Inner Ring - One Side
Rolling Element	Cylindrical Roller Bearing
Profile	Complete with Outer and Inner Ring
Snap Ring	No
Internal Clearance	C0-Medium
Retainer	Yes
Relubricatable	Yes
Inch - Metric	Metric
Other Features	High Capacity 1 Rib Inner Ring 2 Rib Outer Ring Cage on Outer Ring ID
Long Description	40MM Bore; Straight Bore Profile; 90MM Outside Diameter; 23MM Width; Brass Cage Material; RBEC 1 ISO P0; Single Row; Inner Ring - One Side Separable; No Snap Ring; Relubricatable; C0-Medium Intern
Category	Cylindrical Roller Bearing
UNSPSC	31171547
Harmonized Tariff Code	8482.50.00.00
Noun	Bearing



Bearing de Mexico, S.A.

Manufacturer URL	http://www.skf.com
Manufacturer Item Number	NJ 308 ECM
Weight / LBS	1.781
Outside Diameter	3.543 Inch 90 Millimeter
Width	0.906 Inch 23 Millimeter
Bore	1.575 Inch 40 Millimeter
bore diameter:	40 mm
precision rating:	RBEC 1 (ISO Class Normal)
outside diameter:	90 mm
maximum rpm:	9500 RPM
overall width:	23 mm
bearing material:	Steel
flanges:	(2) Outer Ring, (1) Inner Ring
cage material:	Brass
bore type:	Straight
finish/coating:	Uncoated
number of rows:	1
closure type:	Open
internal clearance:	C0
application:	Piston Type Machines, Rolling Mills, Spindles/Machine Tools
ring separation:	Separable Ring
outer ring width:	23 mm
operating temperature range:	Maximum of +300 ° F
fillet radius:	1.5 mm
dynamic load capacity:	93 kN
series:	NJ3
static load capacity:	78 kN
d ₁	57.5 mm
D ₁	75 mm



Bearing de Mexico, S.A.

$r_{1,2}$ min.	1.5 mm
$r_{3,4}$ min.	1.5 mm
s max.	1.4 mm
d_a min.	48 mm
d_a max.	50 mm
d_b min.	60 mm
D_a max.	81.8 mm
r_a max.	1.5 mm
Basic dynamic load rating C	93 kN
Basic static load rating C_0	78 kN
Fatigue load limit P_u	10.2 kN
Calculation factor k_r	0.15
Limiting value e	0.2
Axial load factor Y	0.6
Mass bearing	0.79 kg