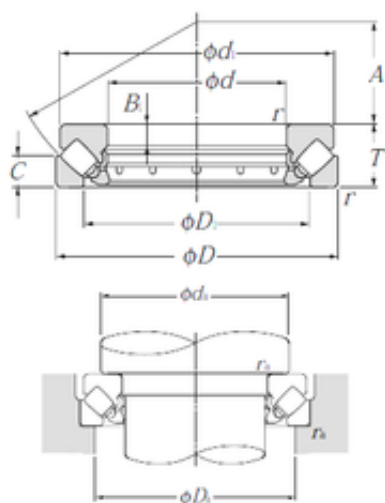




## Bearing de Mexico, S.A.



### NTN 29415 thrust roller bearings

Bearing No. 29415

Size	75x160x51 mm
Bore Diameter	75 mm
Outer Diameter	160 mm
Width	51 mm
d	75 mm
D	160 mm
T	51 mm
B1	18 mm
C	24 mm
d1	152 mm
r min.	2 mm
A	47 mm
D1	109 mm
da min.	115 mm
Da max.	132 mm
ra max.	2 mm
Weight	5,07 Kg
Basic dynamic load rating (C)	415 kN
Basic static load rating (C0)	1 190 kN
Category	Roller Bearings
Inventory	0.0
Manufacturer Name	NTN
Minimum Buy Quantity	N/A
Weight / Kilogram	5.01
EAN	4547359290950
Product Group	B04311

29415 Bearing 2D drawings and 3D CAD models



## Bearing de Mexico, S.A.

bore diameter:	75 mm
maximum rpm:	2100 rpm
outside diameter:	160 mm
separable type:	Separable Bearing
overall width:	51 mm
fillet radius:	2 mm
operating temperature range:	-40 to 120 ° C
series:	294
static load capacity:	1190000 N
cage type:	Machined - Two Piece
bearing material:	Through Hardened Steel
enclosure:	Open
cage material:	Brass
manufacturer product page:	<a href="#">Click here</a>
dynamic load capacity:	415000 N