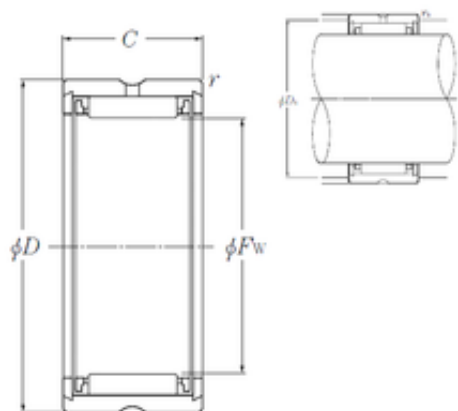




Bearing de Mexico, S.A.



NTN RNA499 needle roller bearings

Bearing No. RNA499

Size	12x20x11 mm
Bore Diameter	12 mm
Outer Diameter	20 mm
Width	11 mm
Fw	12 mm
D	20 mm
C	11 mm
r min.	0,3 mm
Da max.	14 mm
ra max.	0,3 mm
Weight	0,013 Kg
Basic dynamic load rating (C)	4,85 kN
Basic static load rating (C0)	4,9 kN
(Grease) Lubrication Speed	17000 r/min
rs min	0.3 mm
Lubrication hole on outer ring	Oui/Yes
k	2 mm
Lubrication hole on inner ring	Non/No
Radial clearance class	CN
Precision class	P0
Mass	0.01 kg
Cr	4.85 kN
C0r	4.9 kN
Nlim (grease)	17,000 rpm

RNA499 Bearing 2D drawings and 3D CAD models



Bearing de Mexico, S.A.

Nlim (oil)	26,000 rpm
Min operating temperature, Tmin	-20 ° C
Max operating temperature, Tmax	120 ° C
Da max	14 mm
ras max	0.3 mm