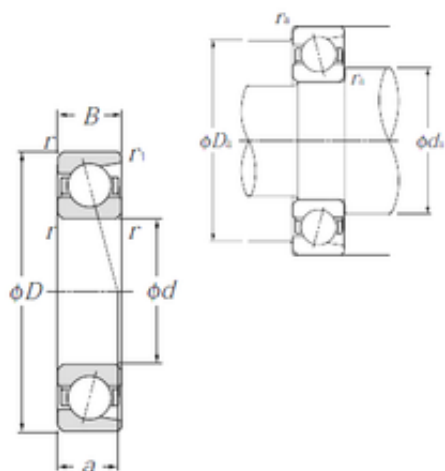




Bearing de Mexico, S.A.

40 mm x 62 mm x 12 mm NTN 7908 angular contact ball bearings



Bearing No. 7908

Size	40x62x12 mm
Bore Diameter	40 mm
Outer Diameter	62 mm
Width	12 mm
d	40 mm
D	62 mm
B	12 mm
C	12 mm
Angle (°)	25 °
a	20,5 mm
r min.	0,6 mm
r1 min.	0,3 mm
da min.	44,5 mm
db min	44,5 mm
ra max.	0,6 mm
Weight	0,13 Kg
Basic dynamic load rating (C)	12,7 kN
Basic static load rating (C0)	10,2 kN
(Grease) Lubrication Speed	11 000 r/min

7908 Bearing 2D drawings and 3D CAD models