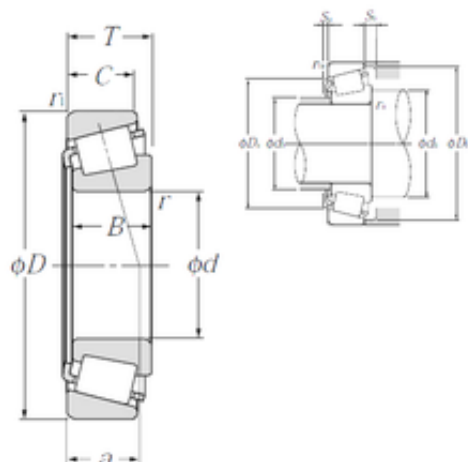




Bearing de Mexico, S.A.



60 mm x 95 mm x 23 mm NTN 4T-32012X
tapered roller bearings

Bearing No. 4T-32012X

4T-32012X Bearing 2D drawings and 3D CAD models

Size	60x95x23 mm
Bore Diameter	60 mm
Outer Diameter	95 mm
Width	23 mm
d	60 mm
D	95 mm
T	23 mm
B	23 mm
C	17,5 mm
ra1 max.	1,5 mm
a	21 mm
r min.	1,5 mm
r1 min.	1,5 mm
da min.	68,5 mm
Da min	85 mm
Da max.	86,5 mm
db max.	67 mm
Db min.	91 mm
ra max.	1,5 mm
Sa	4 mm
Sb	5,5 mm
Weight	0,576 Kg
Basic dynamic load rating (C)	82 kN
Basic static load rating (C0)	123 kN
(Grease) Lubrication Speed	3 700 r/min



Bearing de Mexico, S.A.

(Oil) Lubrication Speed	4 900 r/min
Calculation factor (e)	0,43
Calculation factor (Y0)	0,77
d1	78.5 mm
rs min	1.5 mm
r1s min	1.5 mm
e	0.43
Y2	1.39
Y0	0.77
Mass	0.58 kg
ISO 355 reference	T4CC060
Dynamic load, C	82 kN
Rating life coefficient, A2	1.4
Static load, C0	123 kN
Fatigue limit load, Cu	15 kN
Nlim (oil)	4,900 rpm
Nlim (grease)	3,700 rpm
Min operating temperature, Tmin	-40 ° C
Max operating temperature, Tmax	120 ° C
Characteristic cage frequency, FTF	0.45 Hz
Characteristic rolling element frequency, BSF	9.48 Hz
Characteristic outer ring frequency, BPF0	11.7 Hz
Characteristic inner ring frequency, BPF1	14.3 Hz
da max	67 mm
db min	68.5 mm
Da max	86.5 mm
Db min	91 mm
Ca min	4 mm



Bearing de Mexico, S.A.

Cb min	5.5 mm
ra max	1.5 mm
r1a max	1.5 mm
Category	Roller Bearings
Inventory	2.0
Manufacturer Name	NTN
Minimum Buy Quantity	N/A
Weight / Kilogram	0
EAN	4547359002966
Product Group	B04334