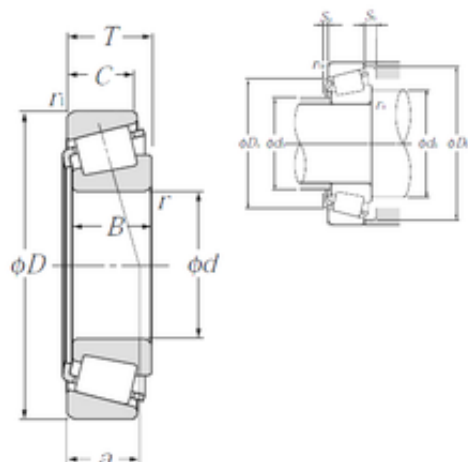




Bearing de Mexico, S.A.



60 mm x 115 mm x 39 mm NTN 4T-T2EE060 tapered roller bearings

Bearing No. 4T-T2EE060

4T-T2EE060 Bearing 2D drawings and 3D CAD models

Size	60x115x40 mm
Bore Diameter	60 mm
Outer Diameter	115 mm
Width	40 mm
d	60 mm
D	115 mm
T	40 mm
B	39 mm
C	33 mm
ra1 max.	2 mm
a	28,5 mm
r min.	2,5 mm
r1 min.	2,5 mm
da min.	72 mm
Da min	98 mm
Da max.	103 mm
db max.	70 mm
Db min.	109 mm
ra max.	2 mm
Sa	6 mm
Sb	7 mm
Weight	1,86 Kg
Basic dynamic load rating (C)	188 kN
Basic static load rating (C0)	249 kN
(Grease) Lubrication Speed	3 200 r/min



Bearing de Mexico, S.A.

(Oil) Lubrication Speed	4 300 r/min
Calculation factor (e)	0,33
Calculation factor (Y0)	0,99
d1	86 mm
rs min	2.5 mm
r1s min	2.5 mm
e	0.33
Y2	1.8
Y0	0.99
Mass	1.86 kg
ISO 355 reference	T2EE060
Dynamic load, C	188 kN
Rating life coefficient, A2	1.4
Static load, C0	249 kN
Fatigue limit load, Cu	30.4 kN
Nlim (oil)	4,300 rpm
Nlim (grease)	3,200 rpm
Min operating temperature, Tmin	-40 ° C
Max operating temperature, Tmax	120 ° C
Characteristic cage frequency, FTF	0.42 Hz
Characteristic rolling element frequency, BSF	5.96 Hz
Characteristic outer ring frequency, BPF0	7.14 Hz
Characteristic inner ring frequency, BRFI	9.86 Hz
da max	70 mm
db min	72 mm
Da max	103 mm
Db min	109 mm
Ca min	6 mm



Bearing de Mexico, S.A.

Cb min	7 mm
ra max	2 mm
r1a max	2 mm