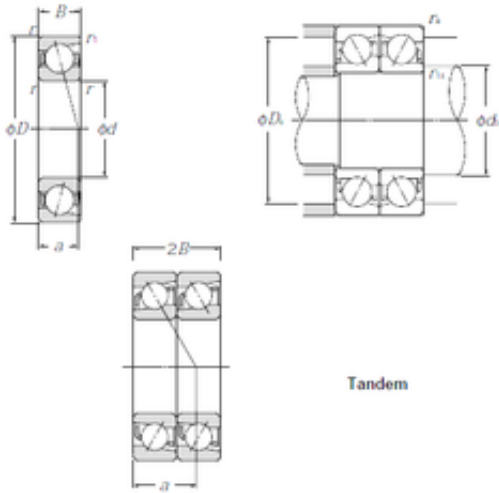




Bearing de Mexico, S.A.



40 mm x 80 mm x 18 mm NTN 7208BDT
angular contact ball bearings

Bearing No. 7208BDT

Size	40x80x18 mm
Bore Diameter	40 mm
Outer Diameter	80 mm
Width	18 mm
d	40 mm
D	80 mm
B	18 mm
ra1 max.	0,6 mm
Angle (°)	40 °
a	34 mm
r min.	1,1 mm
r1 min.	0,6 mm
2B	36 mm
da min.	47 mm
Da max.	73 mm
db min	44,5 mm
ra max.	1 mm
Db max	75,5 mm
Weight	0,75 Kg
Basic dynamic load rating (C)	52 kN
Basic static load rating (C0)	46 kN
(Grease) Lubrication Speed	6 700 r/min

7208BDT Bearing 2D drawings and 3D CAD models