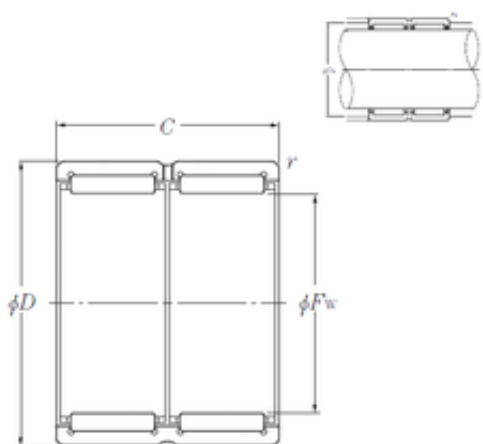




## Bearing de Mexico, S.A.

### NTN RNA6905R needle roller bearings

Bearing No. RNA6905R



RNA6905R Bearing 2D drawings and 3D CAD models

Size	30x42x30 mm
Bore Diameter	30 mm
Outer Diameter	42 mm
Width	30 mm
Fw	30 mm
D	42 mm
C	30 mm
r min.	0,3 mm
Da max.	40 mm
ra max.	0,3 mm
Weight	0,112 Kg
Basic dynamic load rating (C)	41,5 kN
Basic static load rating (C0)	63 kN
(Grease) Lubrication Speed	8500 r/min
rs min	0.3 mm
Dw	4 mm
Lw	25.4 mm
Lubrication hole on outer ring	Oui/Yes
k	3 mm
Radial clearance class	CN
Precision class	P0
Mass	0.11 kg
Cr	41.5 kN
C0r	63 kN
Nlim (grease)	8,500 rpm



## Bearing de Mexico, S.A.

Nlim (oil)	13,000 rpm
Min operating temperature, Tmin	-20 ° C
Max operating temperature, Tmax	120 ° C
Characteristic cage frequency, FTF	0.44 Hz
Characteristic rolling element frequency, BSF	8.38 Hz
Characteristic outer ring frequency, BPF0	7.5 Hz
Characteristic inner ring frequency, BRF1	9.5 Hz
Da max	40 mm
ras max	0.3 mm
Category	Roller Bearings
Inventory	0.0
Manufacturer Name	NTN
Minimum Buy Quantity	N/A
Weight / Kilogram	0.111
EAN	4547359172980
Product Group	B04144