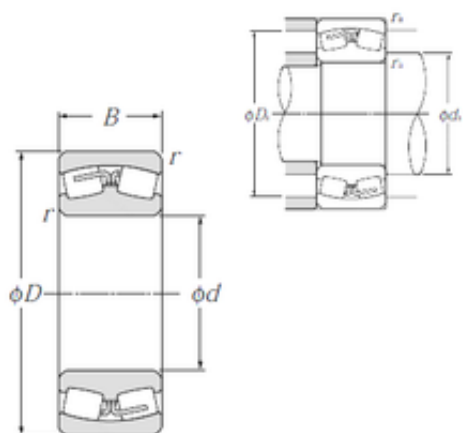




Bearing de Mexico, S.A.

23932 NTN Spherical Roller Bearings



Bearing No. 23932

Size	160x220x45 mm
Bore Diameter	160 mm
Outer Diameter	220 mm
Width	45 mm
d	160 mm
D	220 mm
B	45 mm
C	45 mm
r min.	2 mm
da min.	170 mm
Da max.	210 mm
ra max.	2 mm
Weight	5,5 Kg
Basic dynamic load rating (C)	320 kN
Basic static load rating (C0)	610 kN
(Grease) Lubrication Speed	1 500 r/min
(Oil) Lubrication Speed	2 000 r/min
Calculation factor (e)	0,18
Calculation factor (Y0)	3,61
Calculation factor (Y1)	3,69

23932 Bearing 2D drawings and 3D CAD models